

## Setting the dynamic feed-in power for SP / SMT / SHT with Carlo Gavazzi Energy Meter

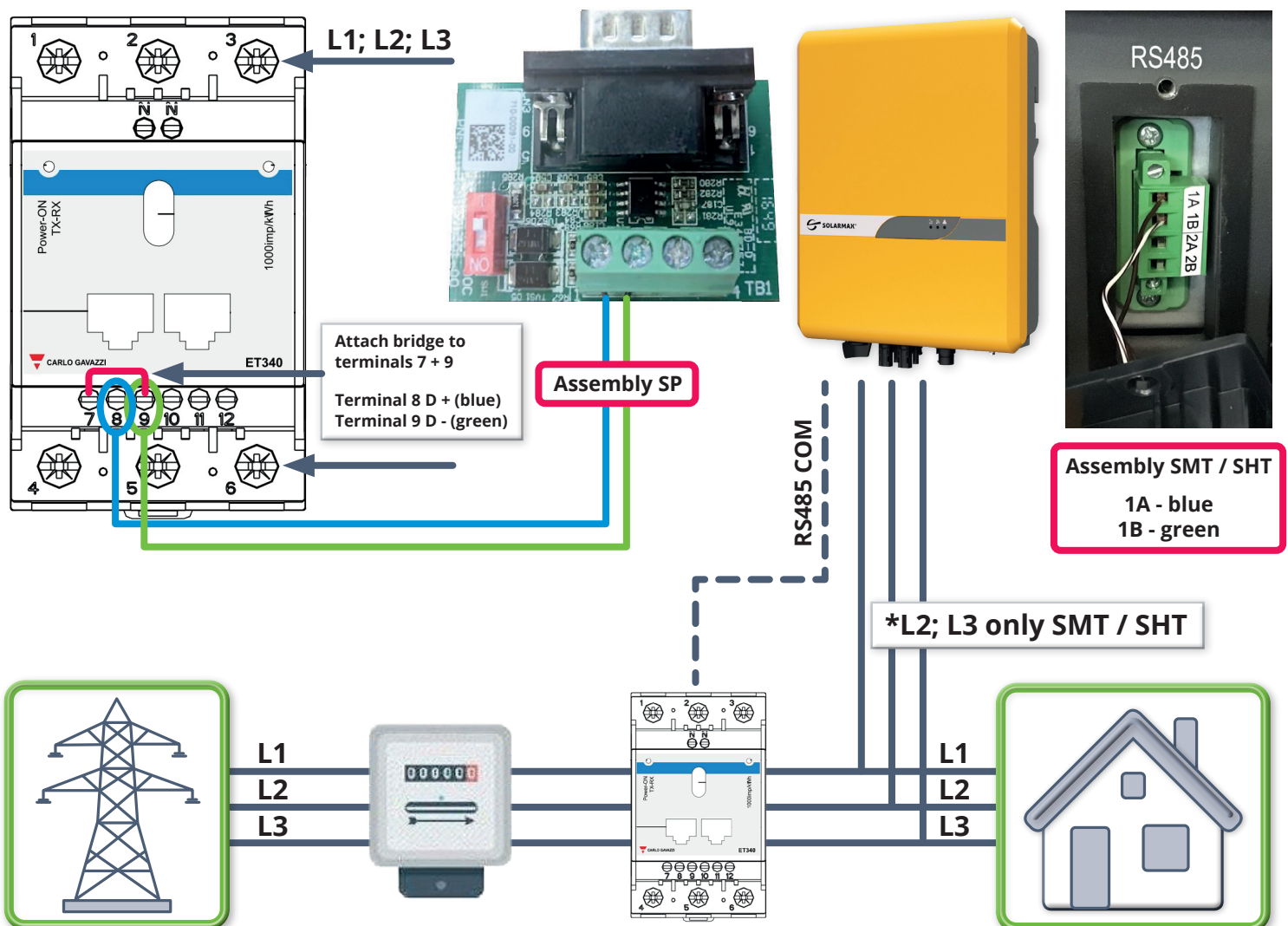
The following devices are required for dynamic feed-in power reduction:

1. Your inverter type SP; SMT; SHT up to max. 30 KW power and the firmware version at least SP **10701**; SMT **191602** as well as SHT 17-22 KW **011202** and SHT 25-30 KW **011002**.
2. Energy Meter Carlo Gavazzi ET340.
3. For SP series devices you need an additional RS 485 interface.
4. Data cables as required.

### Installation

Install the Energy Meter in your home distribution system as shown in the following picture.

Please observe the valid regulations!



## Activating the dynamic feed with the Max Link APP

Start the MAX Link APP and connect to your inverter as already known.

1. Change in the home screen with click on **SETTING** in the selection menu.
2. Select the item **Dynamic feed-in power**.
3. Now set the Energy Meter **Carlo Gavazzi EM340** as well as the max. feed-in power in Watt and finally activate the function with click on **DIGITAL** Meter.
4. From now the inverter will start adjusting the power.
5. Please check on the Energy Meter the left LED, this should be **RED** from now on flashing.
6. If you have an older firmware version please contact our hotline.

